

McCULLOCH[®]

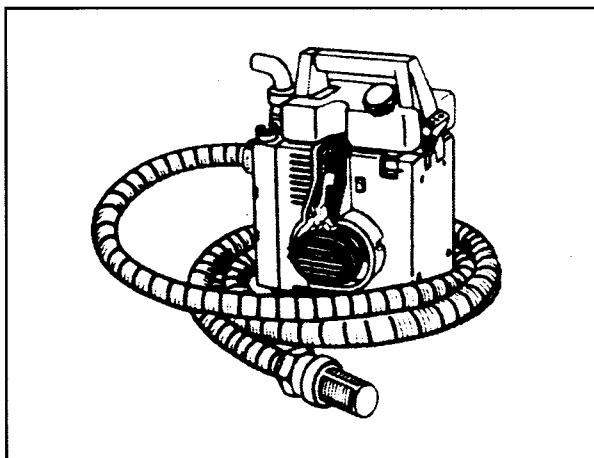
PARTNER

ILLUSTRATED PARTS LIST

AQUAMAC 40-45 AGRIMAC PARTNER P45

SERIAL NUMBER PREFIX 01-02

CE



March 2000

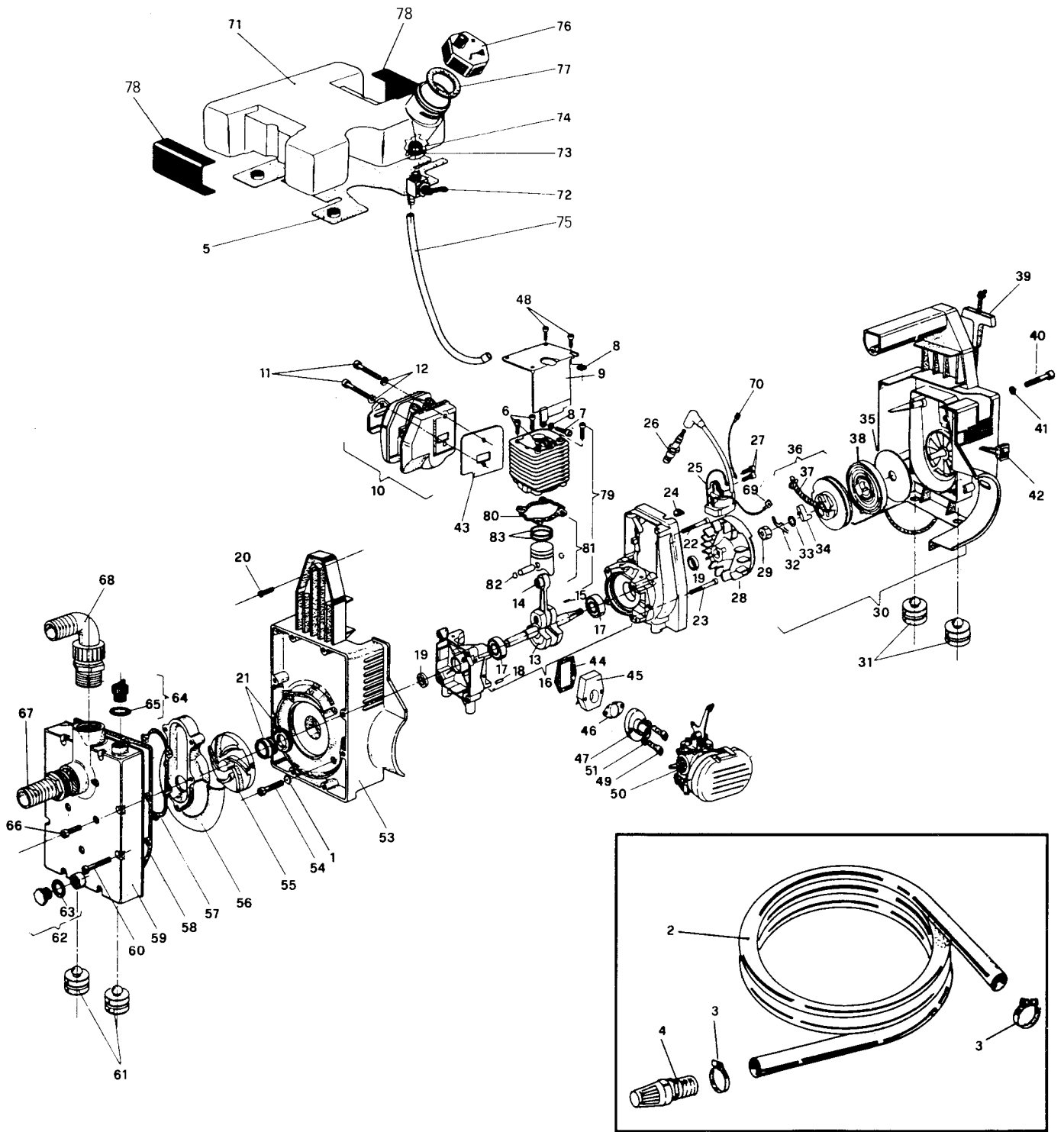


FIGURE 1

1	228559	4	17	● 235900	2	B 34	● 240492	1	53	228061	AQ 40-45	1	66	236933	AQ 40-45	5
2	228298	1	18	● 236365	1	35	● 227467	1	54	228780	P45-AGRI	1	67	228287	P45-AGRI	5
3	228299	2	C 19	● 235229	2	B 36	● 227194	1	55	228253	M6x30	4	C 68	228288		1
C 4	228300	1	20	235205	1	A 37	● 227703	1	56	228064	AQ 40-45	1	69	228290		1
C 5	228448	1	B 21	228164	1	B 38	● 227300	1	57	228775	P45-AGRI	1	70	228291		1
6	235214	M6x20	22	235919	M5x40	39	● 240884	1	58	228063	AQ 40-45	1	C 71	228469		1
7	236381	M5x10	23	235804	M5x30	40	235804	M5x30	4	228778	P45-AGRI	1	C 72	● 228293		1
8	235248	3	24	236322	1	41	235248	4	B 57	228103		1	73	● 236609		1
9	228100	1	C 25	240779	1	42	228277	1	B 58	228104		1	74	● 228294		1
C 10	228272	1	A 26	92879	1	C 43	236346	1	59	228062	AQ 40-45	1	75	● 228295		1
11	● 235808	M5x50	27	235806	M5x20	A 44	235015	1	60	228792	AGRI	1	B 76	216157		1
12	● 229237	2	28	227862	Prefix 01	A 45	235120	1	61	241850	P45	1	A 77	● 94707		1
13	240893	Prefix 01	29	241189	Prefix 02	A 46	227692	1	62	236558	AQ 40-45	8	B 78	228102		2
C 14	● 235742	1	30	227848	1	47	228098	1	63	228781	P45-AGRI	8	C 79	235798		1
15	102164	Prefix 01	B 31	● 228101	2	48	235802	M5x14	2	228101		2	B 80	● 235135		1
16	227631	Prefix 02	B 32	● 240485	1	49	235803	M5x25	2	64	● 228284	1	C 81	● 235797		1
	227843	1	33	● 227470	1	C 50	FIGURE 2		65	● 228285	1	82	● 235008		2	
						51	236529	2		● 228286	1	B 83	● 235678		2	

A = high moving - alta rotazione - haute demande - große Nachfrage B = medium moving - media rotazione - moyenne demande - mittelmäßige Nachfrage C = slow moving - bassa rotazione - basse demande - wenige Nachfrage

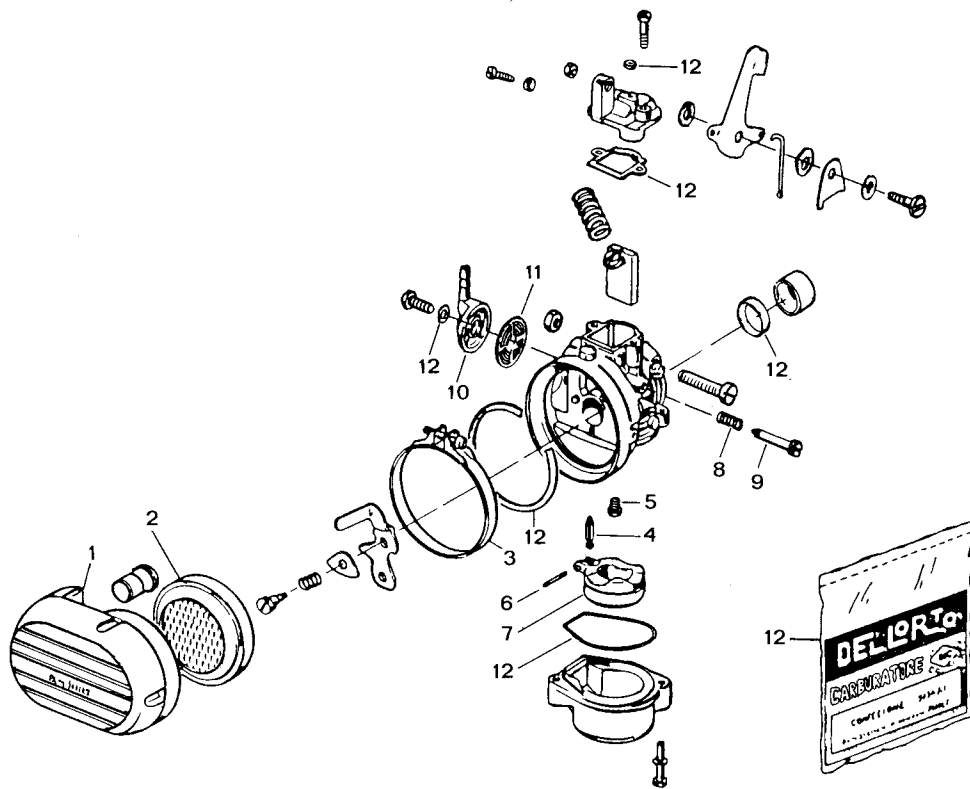


FIGURE 2

C	-	228221	carb.	9	● 229009	1		
1	●	228282	1	10	● 229006	1		
2	●	228978	1	11	● 229007	1		
3	●	228281	1	C 12	● 229011	1		
C	4	● 228977	1					
C	5	● 229004 (58)	1					
C		● 247314 (53)	1					
6	●	229010	1					
7	●	229005	1					
8	●	229008	1					

A = high moving - alta rotazione - haute demande - große Nachfrage B = medium moving - media rotazione - moyenne demande - mittelmäßige Nachfrage C = slow moving - bassa rotazione - basse demande - wenige Nachfrage